

precision machines with a hot heart



precision machines with a hot heart



ELECTRONIC PUSHER EP97-04

founded 1950



Sklostroj Turnov CZ, s.r.o.
No 210, 512 61 Prepere, Czech Republic
www.sklostroj.cz

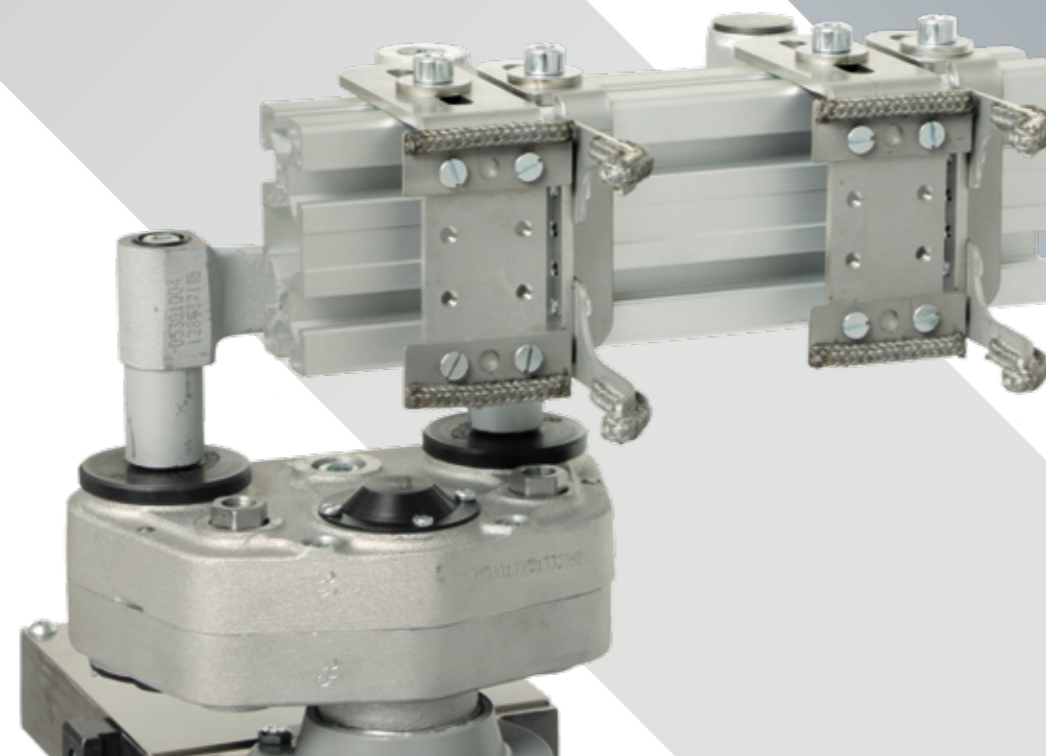
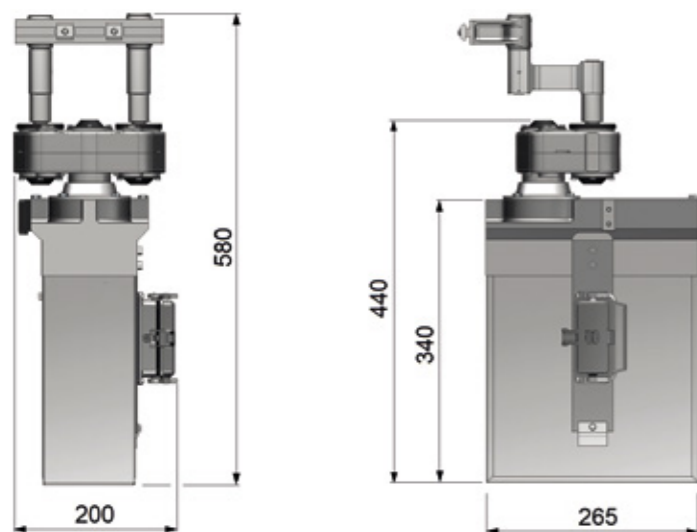




EP97-04

ELECTRONIC PUSHER

COMBINING
**SPEED AND
FLEXIBILITY**
- RETROFIT AT A
**COMPETITIVE
BUDGET**



KEY BENEFITS OF THE EP97-04 PUSHER UNIT

- ☒ Smart design allows easy and quick installation on any type of IS machine
- ☒ Versatile – LH or RH, SG/DG/TG/QG
- ☒ Powered by two stepper motors – simple cabling
- ☒ High functionality at affordable price
- ☒ Better efficiency and longer service life compared to conventional pushers
- ☒ Quality components attested since the first installation in 1997 (bearings, stepper motors, gear boxes, shafts,...)
- ☒ Simple and smart design makes this equipment almost maintenance free
- ☒ High resistance to ambient temperature, IP54
- ☒ Accurate positioning of bottles in the center line of the IS machine conveyor with exact gaps leading to less production losses due to hot end handling
- ☒ No compressed air, no cooling air nor lubrication necessary

STAND ALONE CONTROL SYSTEM SSEP-07

THE CONTROL SYSTEM for EP97-04 is identical to the control system used with EP16

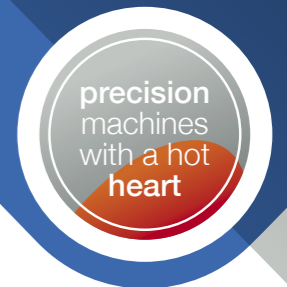
Stand-alone control system SSEP-07 is compatible with all common control systems for any IS machine. The control system is based on Siemens platform standard parts.

THE SYSTEM PROVIDES

- ☒ Fast change of predefined cam profiles during production
- ☒ Product transfer up to conveyor speed 1,2 m/s
- ☒ Optional VPN support

ADVANTAGES

- ☒ Siemens parts available world wide
- ☒ Modular concept for better serviceability
- ☒ Control through touch panel



CONTROL & VISUALIZATION

- ☒ The design of control cabinet is successfully applied since 2007 and proven by more than 150 installations.
- ☒ Easy adjustment of cam for each pusher independently
- ☒ Multi-jobs possible
- ☒ Save and load settings for faster job changes
- ☒ Advanced diagnostic and logbooks

Technical information

Weight	approx. 33 kg
Pusher unit power supply	110 – 230V AC
Control cabinet dimensions	1200 x 2100 x 600 mm (12 sections IS)